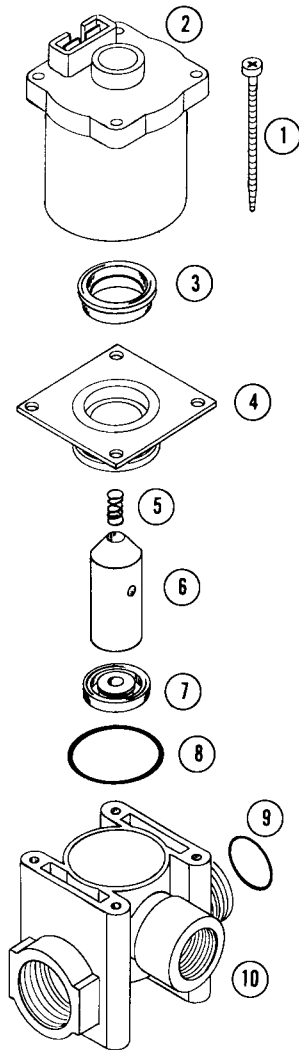


# Model 2100A Solenoid Valve

10 GPM 125 PSI 12 Volt

## PARTS LIST



Ref.	Part No.	Description	No. Req.
1		No. 8 x 3 Screw .....	4
2	2140	Coil .....	1
3	*2251	Aflas Lip Seal, Optional .....	1
3	°2254	Viton Lip Seal, Standard .....	1
4	2349	Base Plate .....	1
5	°*2176	Spring .....	1
6	2092	Plunger .....	1
7	*2121	Seal, Compound TIR, Optional .....	1
7	°2093	Seal, Viton, Standard .....	1
8	*°2339	"O" Ring, 024 Viton .....	1
9	2166	"O" Ring, 018 .....	1
10	2351	Body .....	1
	2252	Aflas Repair Kit. Consists of items marked with *.	
	2255	Viton Repair Kit. Consists of items marked with °.	

## DISASSEMBLY

It is not necessary to take the valve out of the line to service it. The valve can be disassembled by removing the four No. 8 screws (1). Next pull the coil (2) and the base plate (4). Pull the seal (7) from the plunger (6). Remove the lip seal (3) from the base plate.

## ASSEMBLY

The seal can be installed by pressing down on the center of it while rotating it on the plunger (6). Be sure it is properly seated. Next set the plunger in the valve body (10) and place the base plate (4) over it. Carefully slip the lip seal (3) over the plunger and into the groove in the base plate. Coat the base plate groove with light grease. Be sure to install "O" ring (8) and spring (5). Do not over tighten the No. 8 screws.

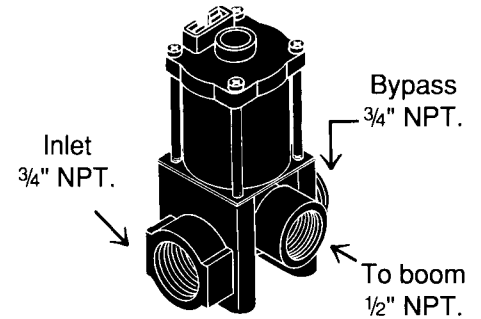
**TEXAS INDUSTRIAL REMCOR, INC.**

BOX 3704 • TEMPLE, TEXAS 76505 • (254) 982-4236

# No. 2100A Solenoid Valve

## SPECIFICATIONS

- Valve Housing .....Glass Filled Nylon
- Wetted Metal Parts .....430 Stainless Steel
- Seals and "O" Rings.....Compound TIR, Aflas or Viton
- Coil .....Epoxy Encapsulated
- Terminals .....1/4" Male Tabs
- Voltage .....12 Volt. DC.
- Current .....2.4 AMP at 12 Volt.
- Operating Pressure .....125 PSI Maximum
- Flow .....0-10 G.P.M. 4.5 cv.
- Temperature .....120°F Maximum

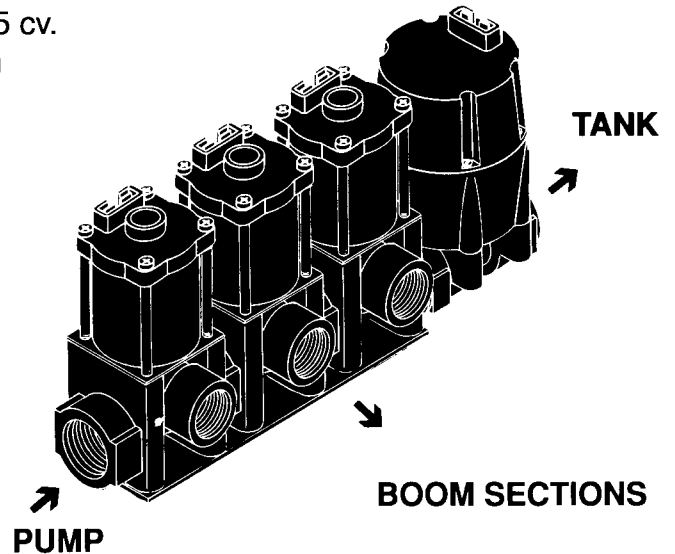


## INSTALLATION

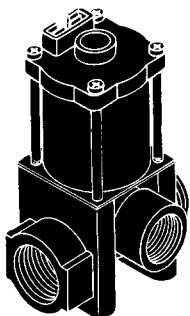
The valves can be plumbed as shown in the illustration. It is advisable to install a strainer ahead of the valves. Note the arrows for flow direction.

The coil will radiate heat; therefore, it should not be enclosed. If the coil fails, the valve can be opened by removing the plunger(6).

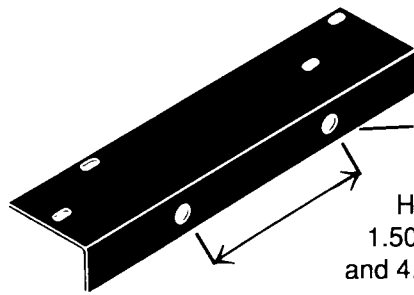
After usage, always flush and drain valves.



## Mounting



↑ 4 Mounting holes  
 .17 Dia. x 1.00 Deep  
 Use No. 10 x 3/4" long screws



Hole Spacing  
 1.50" for 2148 bracket  
 and 4.00" for 2149 and 2151 brackets

- 2148 Mounting Bracket for 2100-1 single valve
- 2149 Mounting Bracket for 2100-2 double valves
- 2151 Mounting Bracket for 2100-3 triple valves

## Trouble Shooting

Valve fails to open:

1. Check if the coil (2) is burned out.
2. Remove the coil (2) and check if the plunger (6) is stuck.
3. Check the control box and wiring harness for broken wires, bad switches and blown fuses.

Valve fails to shut off:

1. Remove the coil (2) and check if the plunger (6) is stuck.
2. Check if the spring (5) is broken.
3. Check for proper electrical connections.