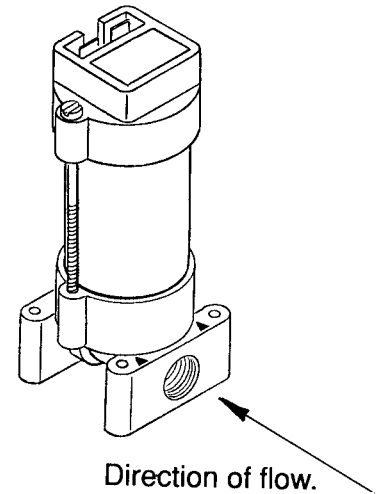


Model 2201A Solenoid Valve

SPECIFICATIONS

- Valve HousingGlass Filled Nylon
- Inlet and Outlet1/4 NPT.
- Wetted Metal Parts.....304 and 430 Stainless Steel
- Seal and "O" RingViton
- CoilEpoxy Encapsulated
- Terminals1/4" Male Tabs or Weather Pack
- Voltage12 Volt. DC.
- Current1.1 AMP at 12 Volt.
- Operating Pressure125 PSI Maximum
- Flow.....0-1 GPM .45 CV
- Temperature120°F Maximum

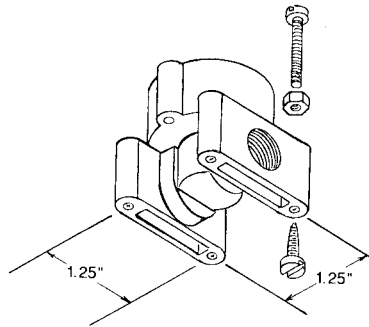


INSTALLATION

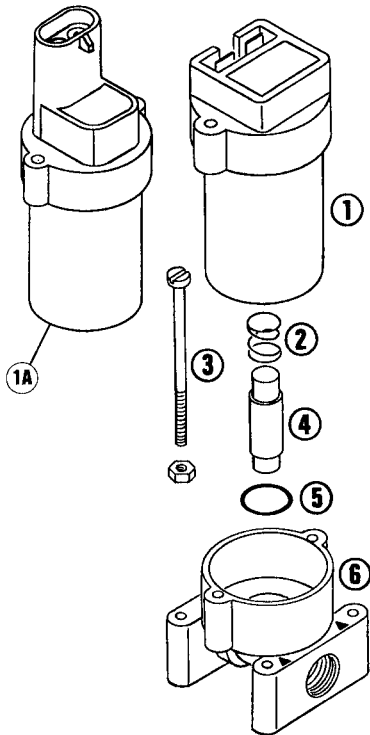
It is advisable to install a strainer ahead of the valve. Note the arrows for flow direction.

The coil will radiate heat; therefore, it should not be enclosed. If the coil fails, the valve can be opened by removing the plunger.

After usage, always flush and drain valve.



To mount valve use 6-32 screws and nuts or No. 8 self tapping or self threading screws.



PARTS LIST

Ref.	Part No.	Description	No. Req.
1	2515	Coil	1
1A	2520	Coil, Weather Pack	1
2	1979	Spring.....	1
3		6-32 x 2 5/8 Screw w. Hex Nut.....	2
4	2239	Plunger w/Viton Seat. Black.....	1
5	1977	"O" Ring, 014 Viton. Black. Standard	1
6	2171	Valve Body. .148 orifice	1

TEXAS INDUSTRIAL REMCOR, INC.

BOX 3704 • TEMPLE, TEXAS 76505 • (254) 982-4236