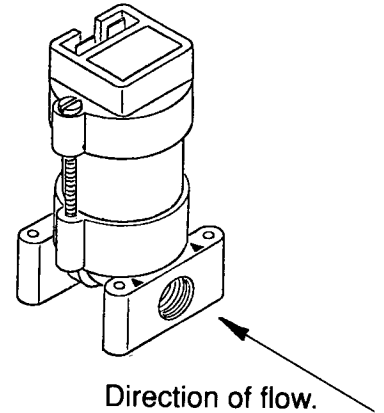


Model 2202 Solenoid Valve

SPECIFICATIONS

- Valve Housing Glass Filled Nylon
- Inlet and Outlet 1/4 NPT.
- Wetted Metal Parts 304 and 430 Stainless Steel
- Seal and "O" Ring Aflas or Viton
- Coil Epoxy Encapsulated
- Terminals 1/4" Male Tabs
- Voltage 12 Volt. DC.
- Current85 AMP at 12 Volt.
- Operating Pressure 50 PSI Maximum
- Flow 0-1 GPM
- Temperature 120°F Maximum

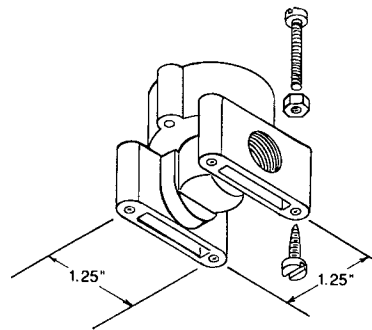


INSTALLATION

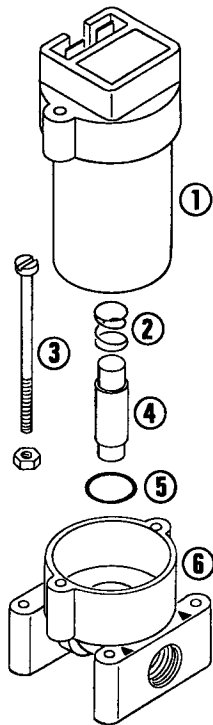
It is advisable to install a strainer ahead of the valve. Note the arrows for flow direction.

The coil will radiate heat; therefore, it should not be enclosed. If the coil fails, the valve can be opened by removing the plunger.

After usage, always flush and drain valve.



To mount valve use 6-32 screws and nuts or No. 8 self tapping or self threading screws.



PARTS LIST

Ref.	Part No.	Description	No. Req.
1	2188	Coil	1
2	1979	Spring	1
3		6-32 x 2 Screw w. Hex Nut	2
4	2239	Plunger w/Viton Seat. Black. Standard	1
4	2240	Plunger w/Aflas Seat. Brown. Optional	1
5	1977	"O" Ring, 014 Viton. Black. Standard	1
5	2146	"O" Ring, 014 Aflas. Brown. Optional	1
6	2171	Valve Body. .148 orifice	1

TEXAS INDUSTRIAL REMCOR, INC.

BOX 3704 • TEMPLE, TEXAS 76505 • (254) 982-4236