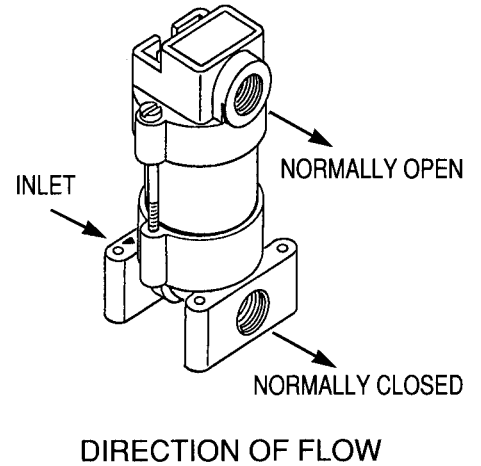


Model 2204 3 Way Solenoid Valve

SPECIFICATIONS

- Valve Housing..... Glass Filled Nylon
- Inlet and Outlet..... 1/4 NPT.
- Wetted Metal Parts 304 and 430 Stainless Steel
- Seal and "O" Ring Viton
- Coil..... Epoxy Encapsulated
- Terminals..... 1/4" Male Tabs
- Voltage 12 Volt. DC.
- Current85 AMP at 12 Volt.
- Operating Pressure..... 40 PSI Maximum
- Flow 0-1/2 GPM
- Temperature..... 120°F Maximum

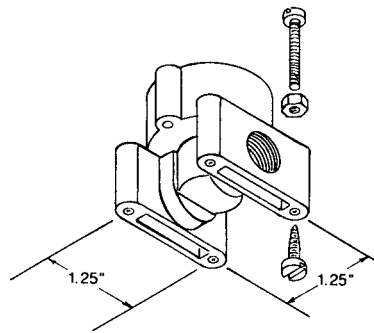


INSTALLATION

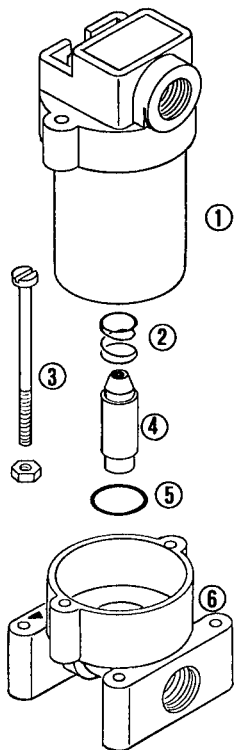
It is advisable to install a strainer ahead of the valve. Note the arrows for flow direction.

The coil will radiate heat; therefore, it should not be enclosed.

After usage, always flush and drain valve.



To mount valve use 6-32 screws and nuts or No. 8 self tapping or self threading screws.



PARTS LIST

Ref.	Part No.	Description	No. Req.
1	2263	Coil.....	1
2	1979	Spring.....	1
3		6-32 x 2 Screw w. Hex Nut.....	2
4	2264	Plunger w/Viton Seat.	1
5	1977	"O" Ring, 014 Viton.	1
6	2241	Valve Body. .105 orifice	1

TEXAS INDUSTRIAL REMCOR, INC.

BOX 3704 • TEMPLE, TEXAS 76505 • (817) 982-4236