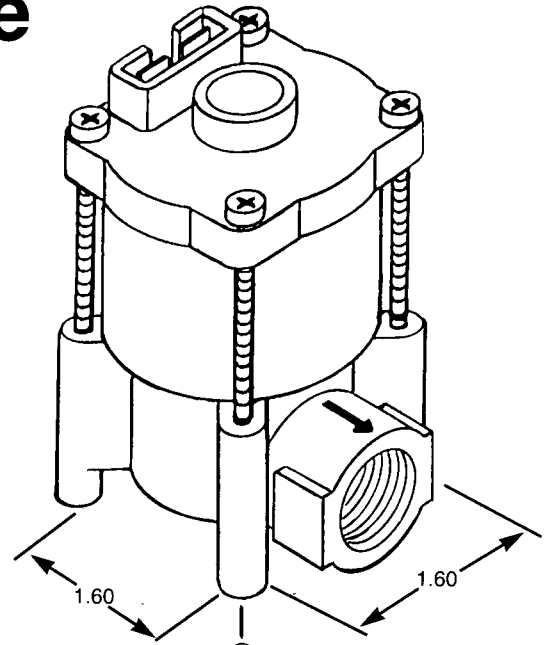


# No. 2501 Solenoid Valve

## SPECIFICATIONS

- Valve Housing.....Glass Filled Nylon
- Wetted Metal Parts.....430 Stainless Steel
- Seal and "O" Ring.....Viton
- Coil.....Epoxy Encapsulated
- Terminals.....1/4" Male Tabs
- Voltage.....12 Volt. DC.
- Current.....1.7 AMP at 12 Volt.
- Operating Pressure.....150 PSI Maximum
- Flow.....0-6 G.P.M. 2.7 cv.
- Temperature.....120°F Maximum



To mount valve use No. 8 self tapping or self threading screws.

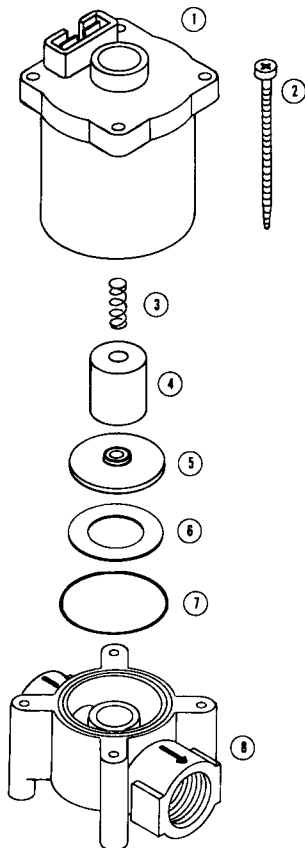
## INSTALLATION

It is advisable to install a strainer ahead of the valve. Note the arrow for flow direction.

The coil will radiate heat; therefore, it should not be enclosed. If the coil fails, the valve can be opened by removing the plunger(4).

After usage, always flush and drain valves.

## PARTS LIST



Ref.	Part No.	Description	No. Req.
1	2384	Coil .....	1
2		No. 8 x 2 1/2 Screw .....	4
3	*2315	Spring.....	1
4	2383	Plunger .....	1
5	*2307	Disc Valve Viton.....	1
6	*2363	Washer .....	1
7	*2314	"O" Ring, 028 Viton .....	1
8	2356	Valve Body .....	1
	2352	Repair Kit. Consists of items marked with *.	

## DISASSEMBLY

It is not necessary to take the valve out of the line to service it. The valve can be disassembled by removing the four No. 8 x 2 1/2 screws (2).

## ASSEMBLY

Assemble the valve as shown in the illustration. Be sure the small seat on the disc valve (5) is in the up position. Do not over tighten the No. 8 x 2 1/2 screws.

# TEXAS INDUSTRIAL REMCOR, INC.

BOX 3704 • TEMPLE, TEXAS 76505 • (254) 982-4236