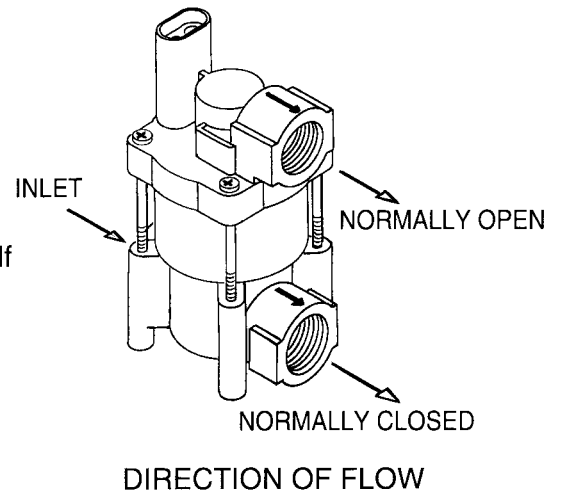


# Model 2504 3 Way Solenoid Valve

## SPECIFICATIONS

- Valve Housing .....Glass Filled Nylon
- Inlet and Outlets .....1/2" NPT
- Wetted Metal Parts .....430 Stainless Steel
- Seal and "O" Ring .....Viton
- Coil .....Epoxy Encapsulated
- Terminals .....Weather Pack, Shroud Half
- Voltage .....12 Volts
- Current .....1.1 AMPS at 12 Volts
- Operating Pressure .....75 PSI Maximum
- Flow .....0-2 G.P.M. (.9 CV)
- Temperature .....150°F Maximum

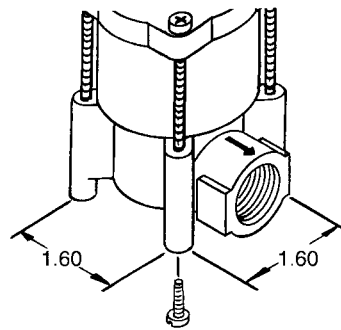


## INSTALLATION

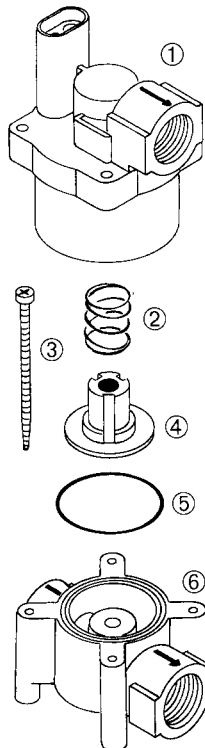
It is advisable to install a strainer ahead of the valve. Note the arrows for flow direction.

The coil will radiate heat; therefore, it should not be enclosed.

After usage, always flush and drain valves.



To mount valve use No. 8 self tapping or self threading screws.



## PARTS LIST

Ref.	Part No.	Description	No. Req.
1	2479	Coil .....	1
2	2486	Spring .....	1
3		No. 8 x 2 1/2 Screw .....	4
4	2485	Plunger w/Viton Seat .....	1
5	2314	"O" Ring, 028 Viton .....	1
6	2487	Valve Body, .220 orifice .....	1

**TEXAS INDUSTRIAL REMCOR, INC.**

BOX 3704 • TEMPLE, TEXAS 76505 • (254) 982-4236