

# Model 2601A Solenoid Valve

## SPECIFICATIONS

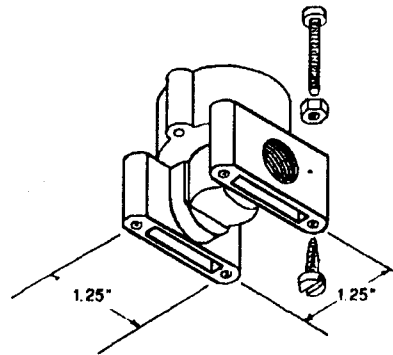
- Valve Housing ..... Glass Filled Nylon
- Inlet ..... 1/4 NPT
- Wetted Metal Parts ..... 304 and 430 Stainless Steel
- Seal and "O" Ring ..... Viton
- Coil ..... Epoxy Encapsulated
- Terminals ..... 1/4" Male Tabs or Weather Pack
- Voltage ..... 12 Volts DC.
- Current ..... 1.1 AMP at 12 Volts
- Operation Pressure ..... 125 PSI Maximum
- Flow ..... 0-1 GPM
- Temperature ..... 120° F Maximum

## INSTALLATION

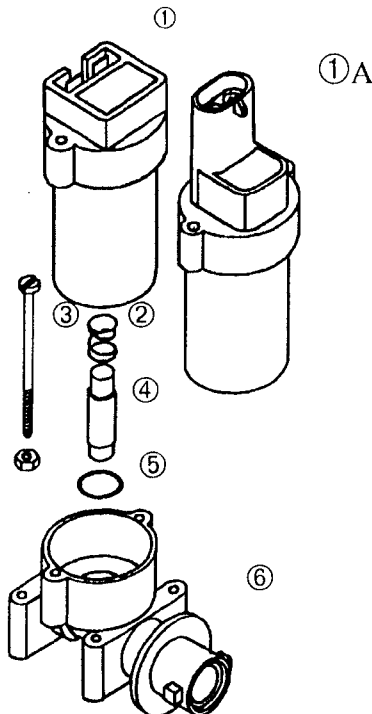
It is advisable to install a strainer ahead of the valve.

The coil will radiate heat; therefore, it should not be enclosed. If the coil fails, the valve can be open by removing the plunger.

After usage, always flush and drain valve.



To mount valve use 6-32 screws and nuts or No. 8 self tapping or self threading screws.



## PARTS LIST

Ref	Part No.	Description	No. Req.
1	2515	Coil .....	1
1A	2520	Coil w/ Weather Pack Connector..	1
2	1979	Spring .....	1
3		6-32 x 2 5/8 Screw w/ hex nut .....	2
4	2239	Plunger w/ Viton Seat .....	1
5	1977	"O" Ring, .014 Viton .....	1
6	2488	Valve Body, .148 Orifice .....	1

**TEXAS INDUSTRIAL REMCOR, INC.**

BOX 3704    TEMPLE, TEXAS 76505    (254) 982-4236