

# Model 2603 Solenoid Valve

## SPECIFICATIONS

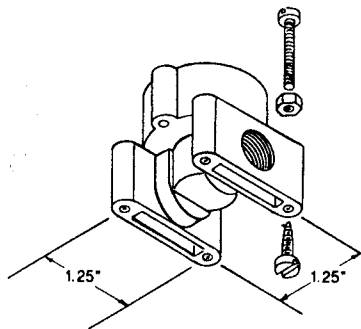
- Valve Housing ..... Glass Filled Nylon
- Inlet ..... 1/4 NPT.
- Wetted Metal Parts ..... 304 and 430 Stainless Steel
- Seal and "O" Ring ..... Aflas or Viton
- Coil ..... Epoxy Encapsulated
- Terminals ..... 1/4" Male Tabs
- Voltage ..... 12 Volt. DC.
- Current ..... .85 AMP at 12 Volt.
- Operating Pressure ..... 125 PSI Maximum
- Flow ..... 0-1/2 GPM
- Temperature ..... 120°F Maximum

## INSTALLATION

It is advisable to install a strainer ahead of the valve. Note the arrows for flow direction.

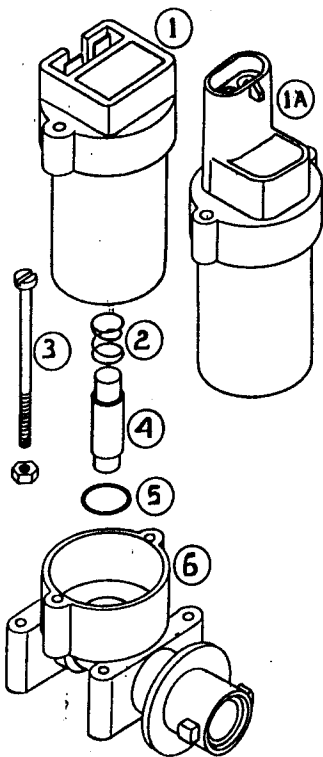
The coil will radiate heat; therefore, it should not be enclosed. If the coil fails, the valve can be opened by removing the plunger.

After usage, always flush and drain valve.



To mount valve use 6-32 screws and nuts or No. 8 self tapping or self threading screws.

## PARTS LIST



Ref.	Part No.	Description	No. Req.
1	2188	Coil.....	1
1A	2477	Coil w/Weather Pack Connector....	1
3		6-32 x 2 Screw w/ Hex Nut.....	2
4	2239	Plunger w/Viton Seat.....	1
5	1977	"O" Ring, .014 Viton.....	1
6	2489	Valve Body, .105 Orifice.....	1

**TEXAS INDUSTRIAL REMCOR, INC.**

BOX 3704 • TEMPLE, TEXAS 76505 • (254) 982-4236